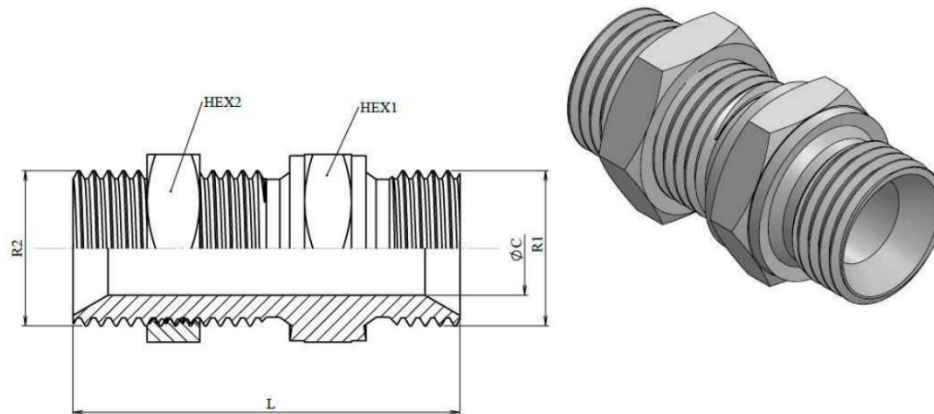


DATA SHEET - TEHNIČNI LIST



	R1	R2	L	HEX 1	HEX 2	ØC	⚖️ (Kg)
81560	1/4" BSP	1/4" BSP	49	19	19	6	0,051
81561	3/8" BSP	3/8" BSP	54	22	22	8	0,083
81562	1/2" BSP	1/2" BSP	60,5	27	27	11	0,136
81563	3/4" BSP	3/4" BSP	66	32	32	16	0,196
89296	1" BSP	1" BSP	75	41	41	22	0,340
	1"1/4 BSP	1"1/4 BSP	81	50	50	28,5	0,360
	1"1/2 BSP	1"1/2 BSP	88	55	55	33	0,620

Izdelano iz Mehkega Jekla

Made of Mild Steel

